

GQ

GUIDAFILO *WIRE GUIDE*



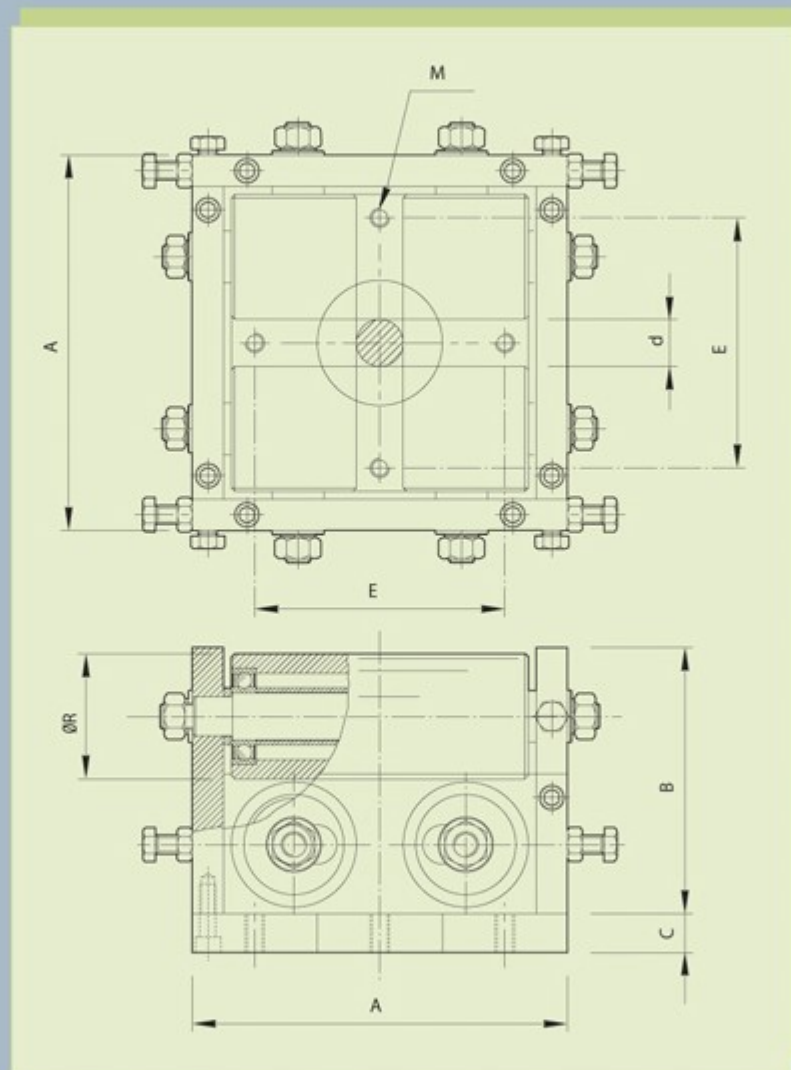
cometo
ATTREZZATURE PER FILO METALLICO

GQ

GQ 102-142-202-301

GUIDAFILO

WIRE GUIDE



TIPO/TYPE	GQ 102	GQ 142	GQ 202	GQ 301
d	0→10	0→14	0→20	0→30
A	110	136	190	240
B	75	96	140	170
C	12	15	20	25
E	70	70	130	160
M	M10	M10	M12	M14
R	35	45	65	80

GUIDAFILO WIRE GUIDE

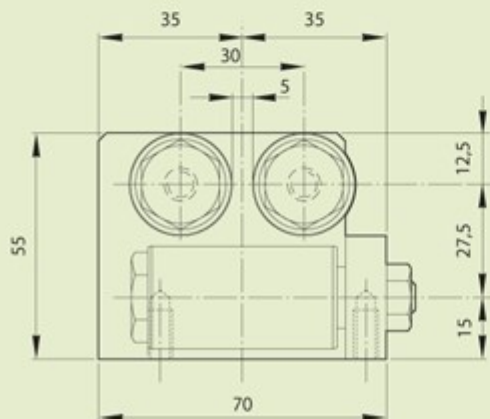
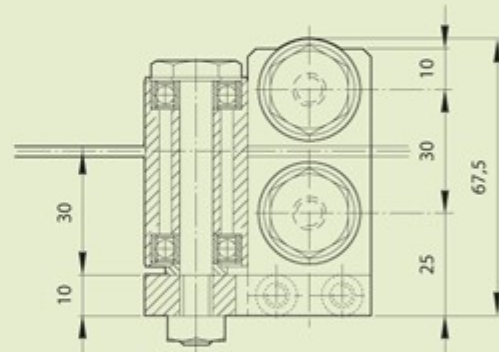
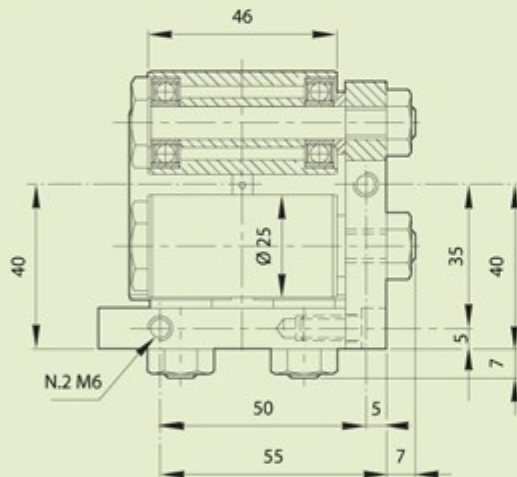
Guidafilo a 4 rulli temprati 60+62 HRC con flangia quadra.

Wire guide 4 rollers hardened 60+62 HRC with square flange.



GQ 050

GUIDAFILO
WIRE GUIDE





cometo



AITMAC, INC

ADVANCED INDUSTRIAL TECHNOLOGIES & MACHINES, INC

329 Rayette Rd, Unit 14, Concord, Ontario, L4K 2G1. Canada
E-mail: sales.aitmac.ca@gmail.com • <http://www.aitmac-ca.com>
Tel: (905) 761-6165 • Fax: (905) 761-6168

